

Safety instructions

Important! Before commencing installation work disconnect the main cable from the power supply - remove fuse or turn switch to "OFF"!

1. Installation should be carried out in accordance with the local safety regulations.
2. In order to prevent damage, please check walls for cables before drilling holes.
3. Please ensure that all electrical connections (even preassembled lamps) are screwed tightly or are fully inserted as good contact is essential for a long life-span at high currents. Please check for tight connections after changing or adjusting lamps. Screwed connections must be tightened after 20 minutes.
4. Please do not place objects on your system (e.g. for decorative purposes) if they were not delivered with the system.
5. The lamps get very hot when in use. Please allow lamps to cool down before touching.
6. Do not change lamps or spots when switched on.
7. System should not be enlarged with additional lamps.
8. Use of a dimmer is highly recommended. Dimmer must be compatible with type of bulb.
9. To avoid greasy fingerprints it is recommended to wear white cotton gloves when handling visible metal and glass parts.
10. If the external flexible cable or cord of this luminaire is damaged, it shall be exclusively replaced by the manufacturer or his service agent or a similar qualified person in order to avoid a hazard.
11. The glass used for this lamp is hand-blown. Only 1st. quality has been chosen. Air bubbles and variations in thickness and colour is normal.
12. We reserve the right to make technical alterations.

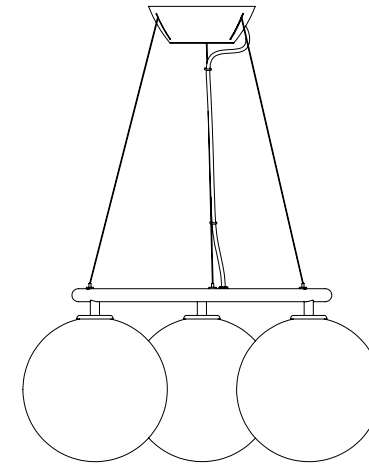
Please keep these instructions.

Fitting: G9

2023-07-14 EU

Miira 3 Circular

Assembly Instructions



NUURA

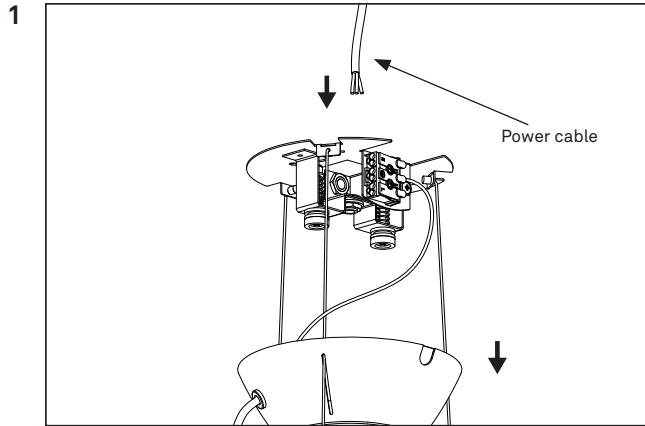
www.nuura.com
info@nuura.com

© 2023 All rights reserved

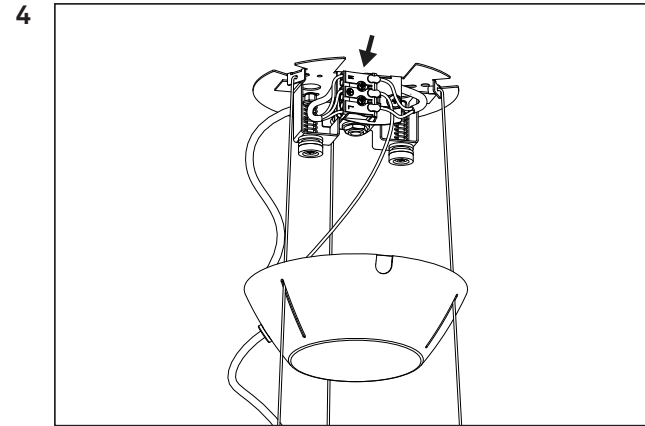


NUURA

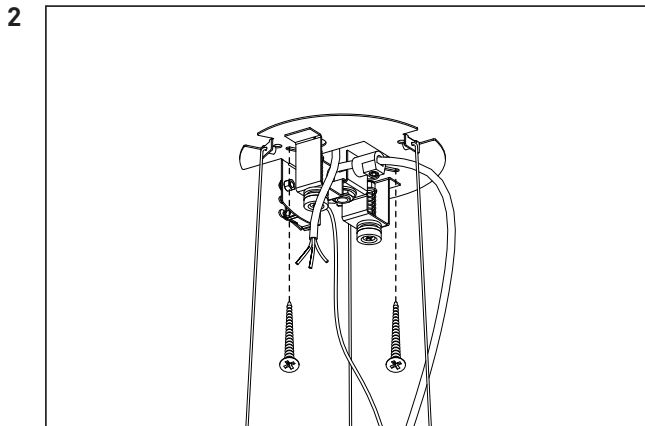
© 2023 All rights reserved



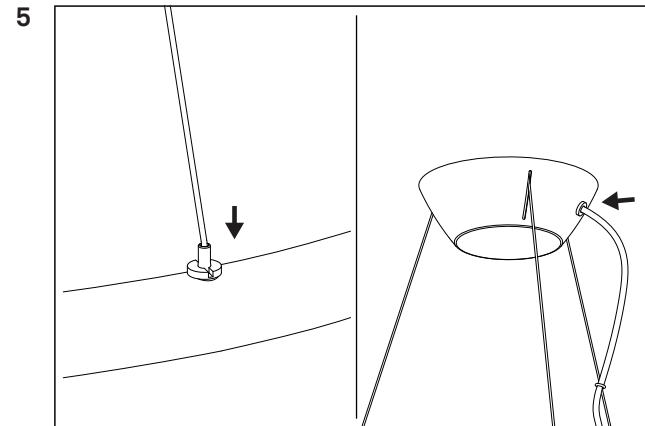
Pull the cover plate away from the mounting bracket. It is attached with strong magnets and might require some force.
Put the power cable through the mounting bracket.



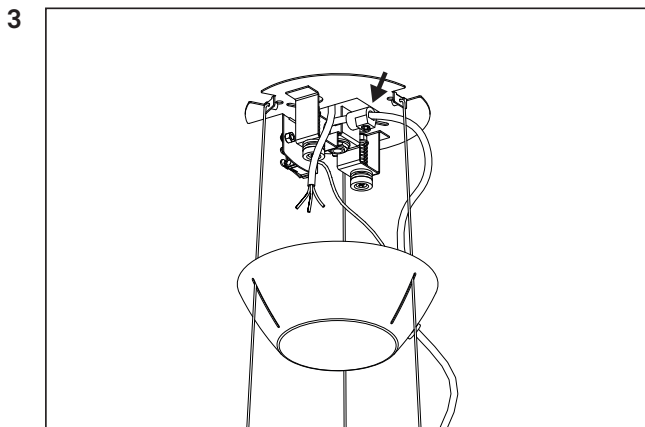
Connect the wire-ends of both the power cable and the lamp cable to the cable terminals. Match the brown wire with "L" the blue wire with "N" and the green/yellow wire with the grounding symbol.
Place the cover plate back over the mounting bracket until the magnets snap in place.



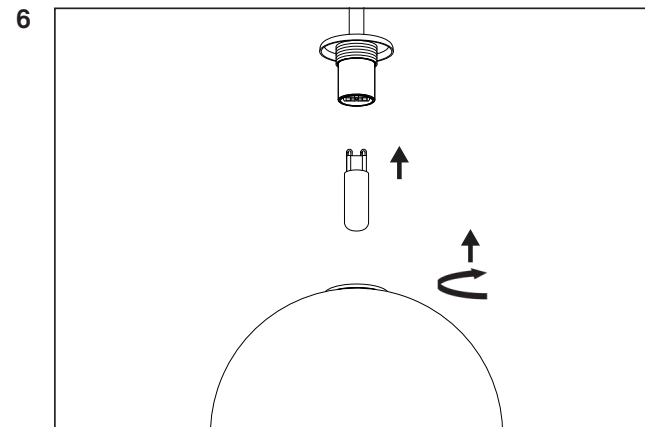
Attach the mounting bracket to the ceiling.
Make sure to use appropriate screws and rawplugs/anchors for your construction.
Please make sure the bracket is fixated properly.



Lead the wires through the three wire locks on the ring. The locks will automatically keep the wires in place.
Adjust the chandelier until the desired height is reached. The wire can be released by pushing the pin down on the wire locks.
Push excess cable into the canopy.



Pull the lamp cable through the cover plate and the strain relief.
Make sure there is enough cable to reach the cable terminals.
Tighten the strain relief to secure the cable.



Place a G9 light bulb in the socket. The bulb is NOT included.
A recommended light bulb can be found on www.nuura.com
Carefully place the glass globe over the light bulb. Turn clockwise to attach the glass globe.
IMPORTANT: Do NOT over tighten, the glass may fracture.